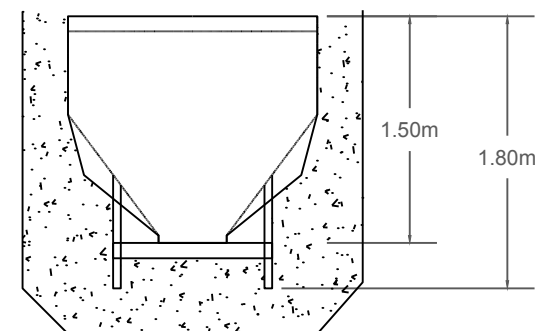
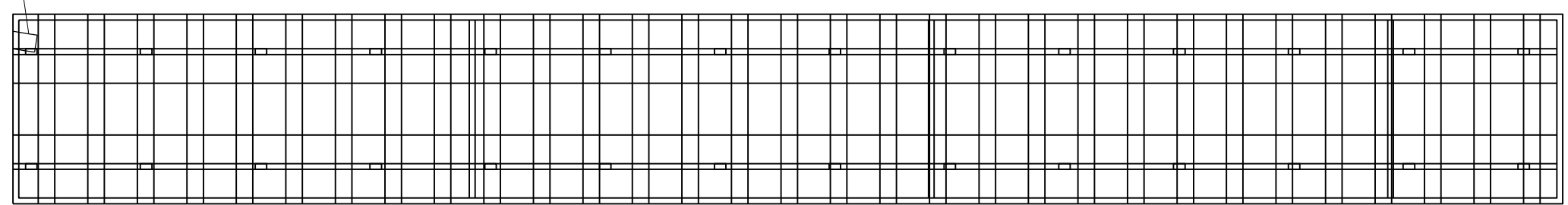


TRUCK WASH ELEVATION



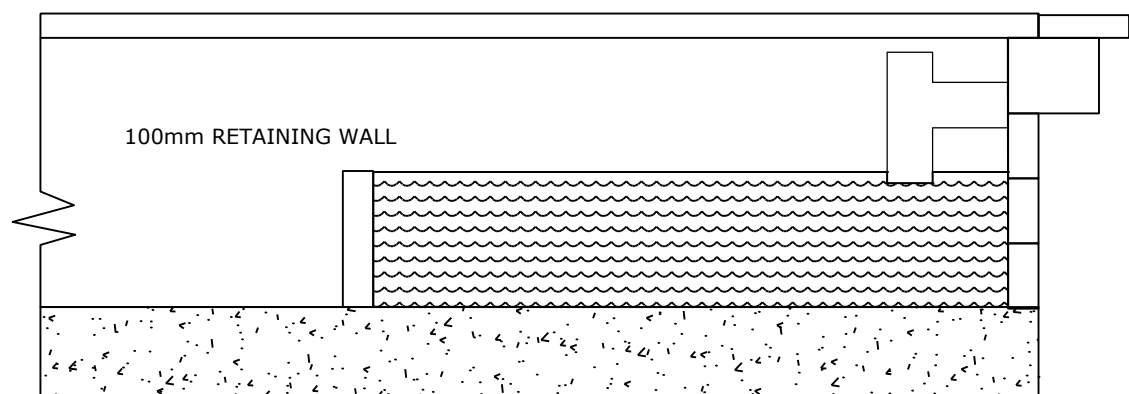
TRUCK WASH END VIEW

150mm PIPE FROM RUNOFF DRAINAGE CHANNEL

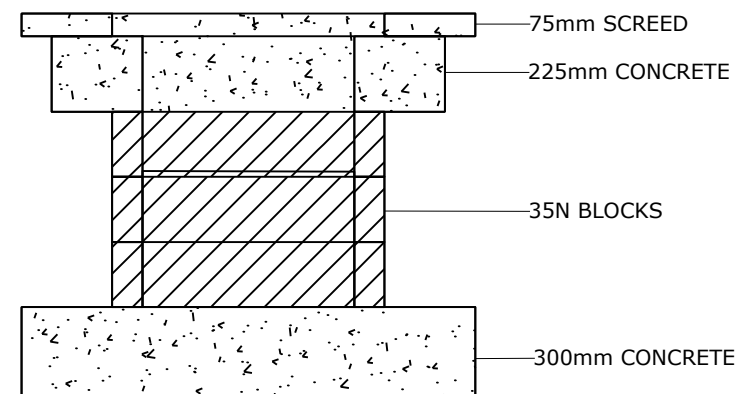


TRUCK WASH PLAN

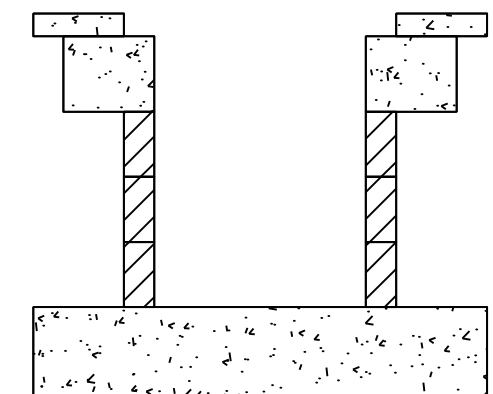
1.65m



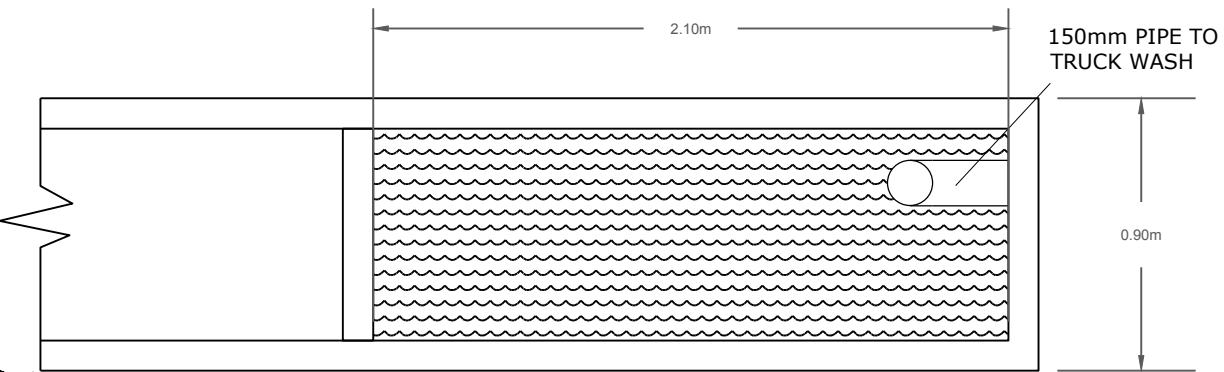
DRAINAGE CROSS SECTION PRIOR TO TRUCK WASH



DRAINAGE CHANNEL END VIEW



DRAINAGE CHANNEL SECTION



DRAINAGE PLAN PRIOR TO TRUCK WASH



CLIENT
HUDSON BROTHERS LTD

PROJECT
SUBSTITUTE CONSENT APPLICATION -
HUDSON BROTHERS LTD

CONSULTANT



YYYY-MM-DD 2024-01-12
PREPARED ECS
DESIGN KMG
REVIEW KMG
APPROVED KMG

TITLE
DRAINAGE CHANNEL AND TRUCK WASH DETAILS

PROJECT No. 40000328 DRAWING No. 09 Rev. A SCALE As Shown A3

Path: g:\projects\40000328\40000328-001-PA-004-09 Channel Truckwash.dwg

25mm IF THIS MEASUREMENT DOES NOT MATCH WHAT IS SHOWN, THE SHEET SIZE HAS BEEN MODIFIED FROM: ISO A3